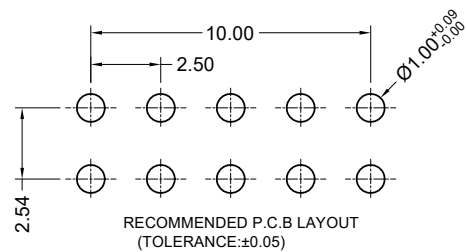
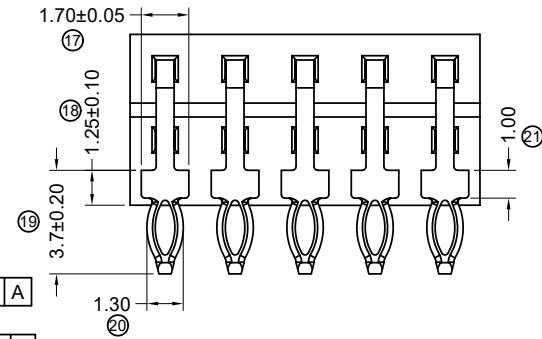
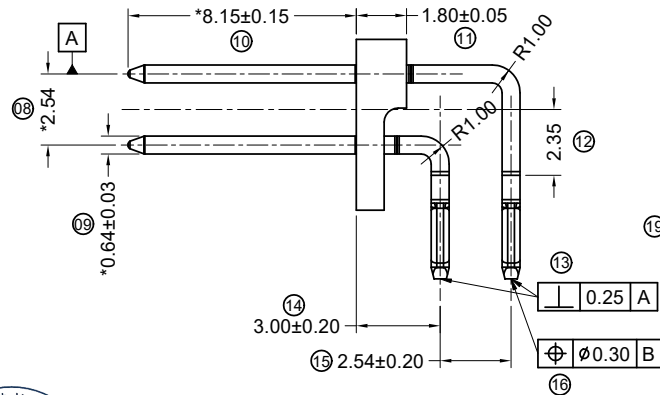
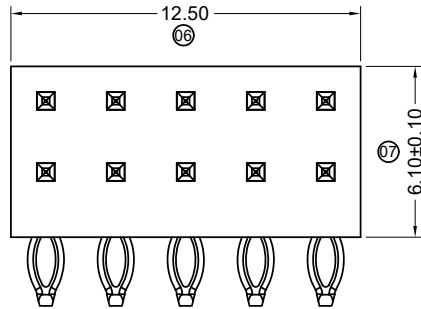
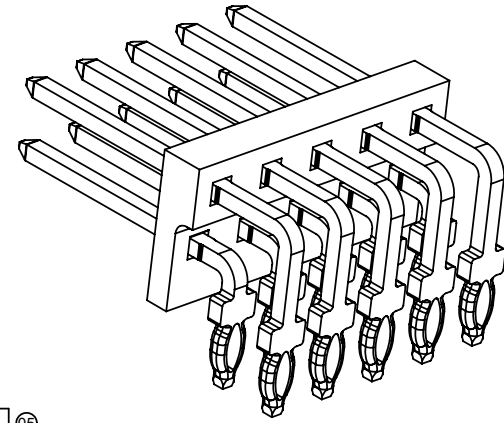
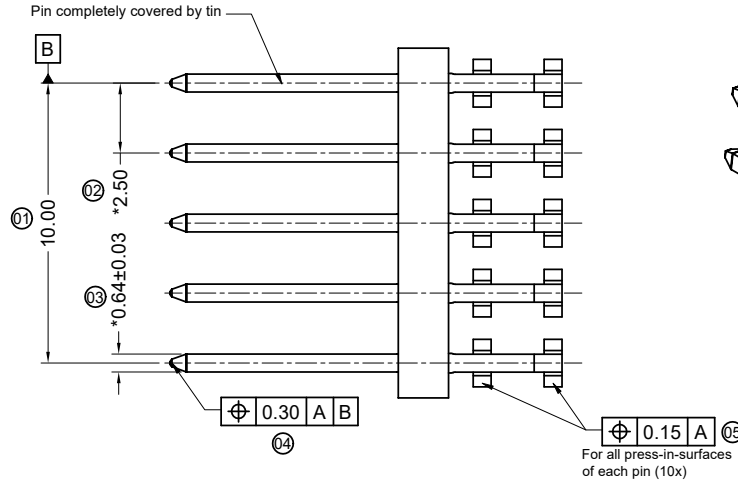
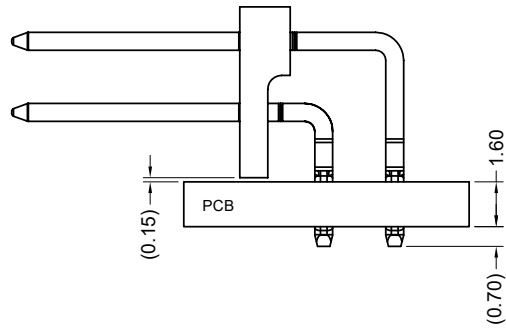


RoHS

This products can apply to the SWB Doc NO. QA-3-04-005 of Environmental&Material Management Rules



Electrical properties
Starting current 4.5A for 3s
Nominal Current 650mA

Temperature properties:
Storage temperature: -40°C ~ +90°C
Operating temperature -40°C ~ +80°C
Functional temperature: -20°C ~ +60°C

Mechanical properties
Push out force from plastic before temperature treatment:
Upper row >= 24N
Lower row >= 10N
Assembly force into PCB of each pin: <= 110N
Push out force from PCB of each pin: >= 20N

Plating:
0.4-1.5µm Sn over 0.8-1.3µm Ni
Surface: Matt
Material:
Plastic: PA4T UL94V-0, Black color.
Metall: Cu-Alloy

						<p>GENERAL TOLERANCE</p> <p>.X ±0.30</p> <p>.XX ±0.20</p> <p>.XXX ±0.10</p> <p>X.° ±2°</p>				<p>东莞市思索连接器有限公司</p> <p>SWB CONNECTORS CO.,LTD</p>				<p>PART NO.</p> <p>6503WR-2*05Y-4TSWBKR</p>															
						<p>APPROVAL</p> <p>Robing</p>				<p>CHECK</p> <p>Joshua</p>				<p>DRAWN</p> <p>Alan_qin</p>				<p>DATE</p> <p>2017/08/25</p>				<p>TITLE</p> <p>Pin Header 2 rows 10Pins 90° Press-Fit</p>							
2020/03/16	B	EN20200316004	Update Drawing Frame	Alan qin	Robing	PROJECT				UNIT				SCALE				SHEET				REV				NUMBER			
DATE	REV	ECN NO.	DESCRIPTION	MODIFY	APPROVAL	PROJECT				UNIT				SCALE				SHEET				REV				NUMBER			
1	2	3	4	5	6	7	8	9	10	11	12	13	14	15	16	17	18	19	20	21	22	23	24	25	26	27	28	29	30