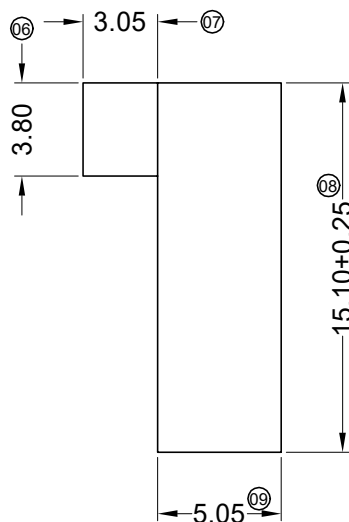
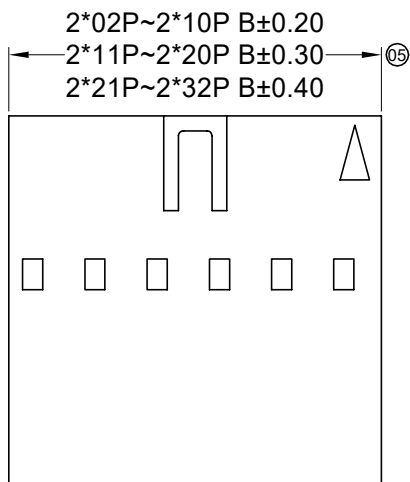
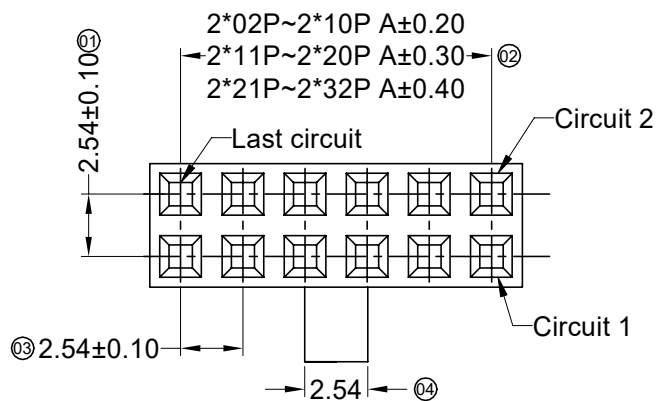


RoHS

This products can apply to the SWB Doc NO. QA-3-04-005 of Environmental&Material Management Rules



■ Specifications :

- Voltage rating: 250V AC / DC
- Current rating: 3A AC / DC
- Withstanding voltage: 1500V AC/minute
- Temperature range: -25°C~+85°C
- Insulation resistance: ≥1000MΩ
- Contact resistance: ≤20mΩ
- After environmental testing: ≤30mΩ
- Suitable SWB Terminal: 9555T-A
- Mates With SWB Wafer: 9555W

9555 H X-2*XX E2-PT XX

① ②③ ④ ⑤ ⑥ ⑦

- ① Series No.
- ② Category: H-HSG
- ③ Welding Board Angle: Blank-ordinary
- ④ Row No.-Pin No.: 2*XX-2*02P~2*32P
- ⑤ Special No. :
E2-With single convex point , Thickness=5.05mm
- ⑥ Material: PT-PBT 94V-0
- ⑦ Color: Blank-Natural Color

Poles	Dimensions(mm)		Poles	Dimensions(mm)		Poles	Dimensions(mm)	
	A	B		A	B		A	B
2*02	2.54	5.08	2*13	30.48	33.02	2*24	58.42	60.96
2*03	5.08	7.62	2*14	33.02	35.56	2*25	60.96	63.50
2*04	7.62	10.16	2*15	35.56	38.10	2*26	63.50	66.04
2*05	10.16	12.70	2*16	38.10	40.64	2*27	66.04	68.58
2*06	12.70	15.24	2*17	40.64	43.18	2*28	68.58	71.12
2*07	15.24	17.78	2*18	43.18	45.72	2*29	71.12	73.66
2*08	17.78	20.32	2*19	45.72	48.26	2*30	73.66	76.20
2*09	20.32	22.86	2*20	48.26	50.80	2*31	76.20	78.74
2*10	22.86	25.40	2*21	50.80	53.34	2*32	78.74	81.28
2*11	25.40	27.94	2*22	53.34	55.88			
2*12	27.94	30.48	2*23	55.88	58.42			

GENERAL TOLERANCE	
.X	±0.35
.XX	±0.25
.XXX	±0.15
X.°	±2°
PROJECT	
⊕	⊖



东莞市思索连接器有限公司
SWB CONNECTORS CO.,LTD

PART NO.
9555H-2*XXE2-PT

TITLE
2.54 mm Crimp Style Connectors

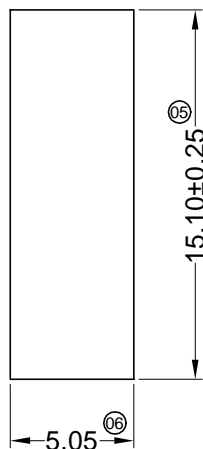
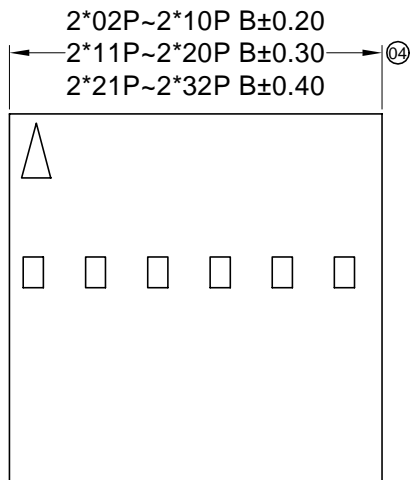
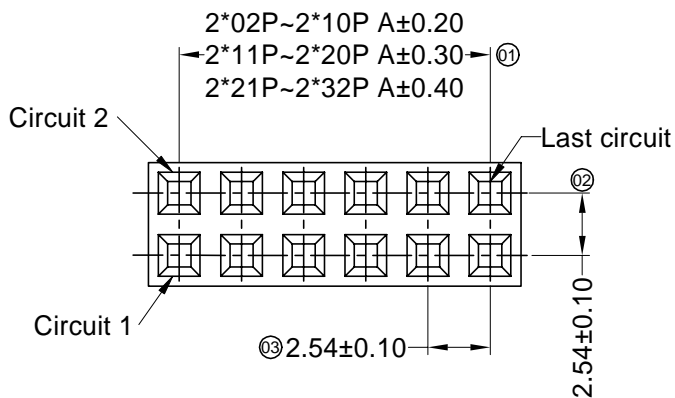
2020/07/22	B		Update Drawing Frame	Roy.Hu	Robing
DATE	REV	ECN NO	DESCRIPTION	MODIFY	APPROVAL

APPROVAL	CHECK	DRAWN	DATE
Joshua	Joshua	sylvia	2014/12/20

UNIT	SCALE	SHEET	REV	NUMBER
mm	1:1	1/1	B	A-053

RoHS

This products can apply to the SWB Doc NO. QA-3-04-005 of Environmental&Material Management Rules



■ Specifications :

- Voltage rating: 250V AC / DC
- Current rating: 3A AC / DC
- Withstanding voltage: 1500V AC/minute
- Temperature range: -25°C~+85°C
- Insulation resistance: ≥1000MΩ
- Contact resistance: ≤20mΩ
- After environmental testing: ≤30mΩ
- Suitable SWB Terminal: 9555T-A
- Mates With SWB Wafer: 9555W

9555 H X-2*XX E3-PT XX

① ② ③ ④ ⑤ ⑥ ⑦

- ① Series No.
- ② Category: H-HSG
- ③ Welding Board Angle: Blank-ordinary
- ④ Row No.-Pin No.: 2*XX-2*02P~2*32P
- ⑤ Special No. :
E3-Without convex point , Thickness=5.05mm
- ⑥ Material: PT-PBT 94V-0
- ⑦ Color: Blank-Natural Color

Poles	Dimensions(mm)		Poles	Dimensions(mm)		Poles	Dimensions(mm)	
	A	B		A	B		A	B
2*02	2.54	5.08	2*13	30.48	33.02	2*24	58.42	60.96
2*03	5.08	7.62	2*14	33.02	35.56	2*25	60.96	63.50
2*04	7.62	10.16	2*15	35.56	38.10	2*26	63.50	66.04
2*05	10.16	12.70	2*16	38.10	40.64	2*27	66.04	68.58
2*06	12.70	15.24	2*17	40.64	43.18	2*28	68.58	71.12
2*07	15.24	17.78	2*18	43.18	45.72	2*29	71.12	73.66
2*08	17.78	20.32	2*19	45.72	48.26	2*30	73.66	76.20
2*09	20.32	22.86	2*20	48.26	50.80	2*31	76.20	78.74
2*10	22.86	25.40	2*21	50.80	53.34	2*32	78.74	81.28
2*11	25.40	27.94	2*22	53.34	55.88			
2*12	27.94	30.48	2*23	55.88	58.42			

GENERAL TOLERANCE

.X ±0.35

.XX ±0.25

.XXX ±0.15

X.° ±2°

PROJECT

⊕ ⊖



东莞市思索连接器有限公司

SWB CONNECTORS CO.,LTD

APPROVAL

CHECK

DRAWN

DATE

Joshua

Joshua

sylvia

2014/12/20

PART NO.

9555H-2*XXE3-PT

TITLE

2.54 mm Crimp Style Connectors

UNIT

SCALE

SHEET

REV

NUMBER

mm

1:1

1/1

C

A-053

2020/07/22

C

Update Drawing Frame

Roy.Hu

Robing

DATE

REV

ECN NO

DESCRIPTION

MODIFY

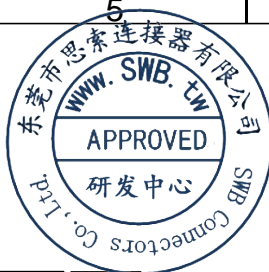
APPROVAL

A

A

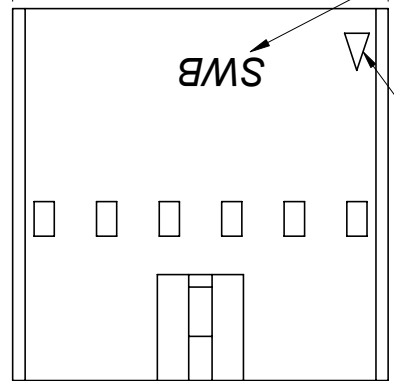
RoHS

This products can apply to the SWB Doc NO. QA-3-04-005 of Environmental&Material Management Rules



⑩ 2*02P-2*10P B±0.20
2*11P-2*20P B±0.30
2*21P-2*32P B±0.40

2*6P / 2*10P
With "SWB" Mark



Circuit 1

4.20±0.15⑪

0.50⑫

15.10±0.25⑬

7.20±0.20⑭

7.65^{+0.20}_{-0.05}⑮

0.95⑯

3.50±0.10⑰

⑱ 2*02P-2*10P A±0.20
2*11P-2*20P A±0.30
2*21P-2*32P A±0.40

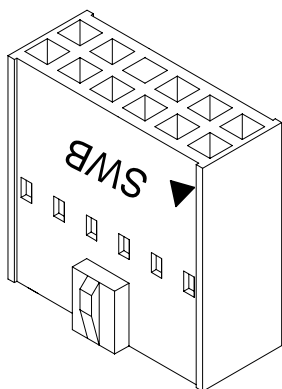
2.54±0.10⑲

⑳

5.80

6.20

⑳ 2.54±0.10



Specifications :

- Voltage rating: 250V AC / DC
- Current rating: 3A AC / DC
- Withstanding voltage: 1500V AC/minute
- Temperature range: -25°C~+85°C
- Insulation resistance: ≥1000MΩ
- Contact resistance: ≤20mΩ
- After environmental testing: ≤30mΩ
- Suitable SWB Terminal: 9555T-A
- Mates With SWB Wafer: 9555W

9555 H X-2*XX E-PT XX

① ②③ ④ ⑤ ⑥ ⑦

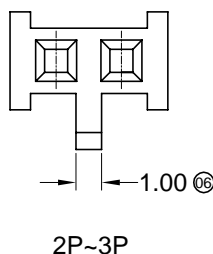
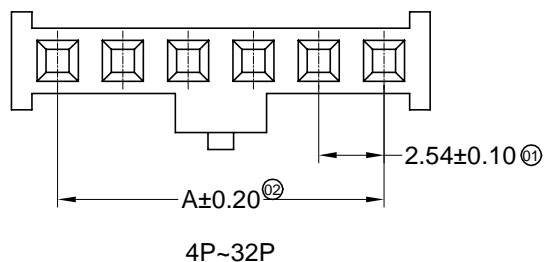
- ① Series No.
- ② Category: H-HSG
- ③ Connector Type: Blank-ordinary
- ④ Row No.-Pin No.: 2*XX-2*02P~2*20P
- ⑤ Special No. : E-Double convex one atop the other With SWB Mark
- ⑥ Material: PT-PBT 94V-0
- ⑦ Color: Blank-Natural Color

Poles	Dimensions(mm)		Poles	Dimensions(mm)		Poles	Dimensions(mm)	
	A	B		A	B		A	B
2*02	2.54	5.08	2*13	30.48	33.02	2*24	58.42	60.96
2*03	5.08	7.62	2*14	33.02	35.56	2*25	60.96	63.50
2*04	7.62	10.16	2*15	35.56	38.10	2*26	63.50	66.04
2*05	10.16	12.70	2*16	38.10	40.64	2*27	66.04	68.58
2*06	12.70	15.24	2*17	40.64	43.18	2*28	68.58	71.12
2*07	15.24	17.78	2*18	43.18	45.72	2*29	71.12	73.66
2*08	17.78	20.32	2*19	45.72	48.26	2*30	73.66	76.20
2*09	20.32	22.86	2*20	48.26	50.80	2*31	76.20	78.74
2*10	22.86	25.40	2*21	50.80	53.34	2*32	78.74	81.28
2*11	25.40	27.94	2*22	53.34	55.88			
2*12	27.94	30.48	2*23	55.88	58.42			

2020/07/22	D		Update Drawing Frame	Roy.Hu	Robing	GENERAL TOLERANCE				PART NO. 9555H-2*XXE-PT				
2019/08/08	C	EN20190808001	依实物修改图面尺寸 取消凸台高度0.5mm尺寸管控 增加凸台到HSG底部总高度13号尺寸管控	Alan qin	Robing	.X ±0.35				TITLE 2.54 mm Crimp Style Connectors				
2015/09/14	B		Modified to take Mark materials issue	Wuxiaotao	Wuxiaotao	.XX ±0.25								
						.XXX ±0.15				APPROVAL	CHECK	DRAWN	DATE	
DATE	REV	ECN NO	DESCRIPTION	MODIFY	APPROVAL	X.° ±2°				Robing	Alan qin	Jova	2013/09/26	
						PROJECT								
						UNIT SCALE SHEET REV NUMBER				mm	1:1	1/1	D	A-053

RoHS

This products can apply to the SWB Doc NO. QA-3-04-005 of Environmental&Material Management Rules



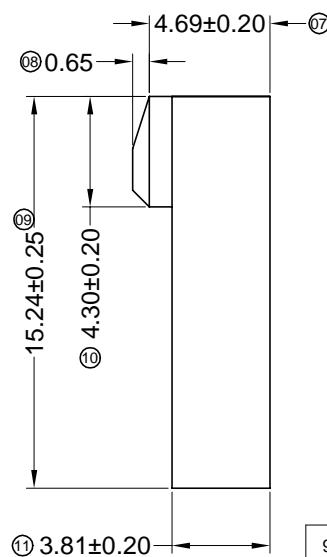
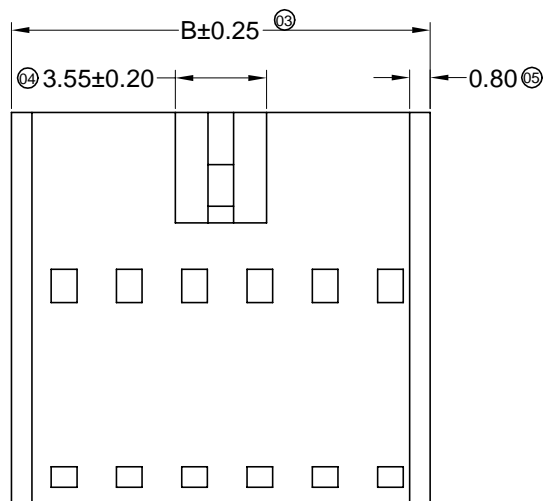
■ Specifications :

- Voltage rating: 250V AC / DC
- Current rating: 3A AC / DC
- Withstanding voltage: 1500V AC/minute
- Temperature range: -25°C~+85°C
- Insulation resistance: ≥1000MΩ
- Contact resistance: ≤20mΩ
- After environmental testing: ≤30mΩ

9555 H X-XX E-PT XX

① ②③④ ⑤⑥ ⑦

- ① Series No.
- ② Category: H-HSG
- ③ Welding Board Angle: Blank-ordinary
- ④ Row No.-Pin No.: XX-Single row
- ⑤ Special No.: E-Double convex one atop the other
- ⑥ Material: PT-PBT 94V-0
- ⑦ Color: Blank-Natural Color



Poles	Dimensions(mm)		Poles	Dimensions(mm)		Poles	Dimensions(mm)	
	A	B		A	B		A	B
02	2.54	6.14	13	30.48	34.08	24	58.42	62.02
03	5.08	8.68	14	33.02	36.62	25	60.96	64.56
04	7.62	11.22	15	35.56	39.16	26	63.50	67.10
05	10.16	13.76	16	38.10	41.70	27	66.04	69.64
06	12.70	16.30	17	40.64	44.24	28	68.58	72.18
07	15.24	18.84	18	43.18	46.78	29	71.12	74.72
08	17.78	21.38	19	45.72	49.32	30	73.66	77.26
09	20.32	23.92	20	48.26	51.86	31	76.20	79.80
10	22.86	26.46	21	50.80	54.40	32	78.74	82.34
11	25.40	29.00	22	53.34	56.94			
12	27.94	31.54	23	55.88	59.48			

9555H-XXE-PT	PBT UL 94V-0	9555T-A	9555W
PART NO	Material	Suitable SWB Terminal	Mates With SWB Wafer

DATE	REV	ECN NO	DESCRIPTION	MODIFY	APPROVAL	PROJECT				UNIT	SCALE	SHEET	REV	NUMBER
2020/08/08	C		Update Drawing Frame	Roy	Robing	GENERAL TOLERANCE				mm	1:1	1/1	C	A-018
2015/05/14	B		Modify drawing frame format	jian.He	.X ±0.35									
					.XX ±0.25									
						.XXX ±0.15								
						X.° ±2°								
						PROJECT								
						APPROVAL								
						CHECK								
						DRAWN								
						DATE								
						sylvia								
						2014/07/08								



东莞市思索连接器有限公司
SWB CONNECTORS CO.,LTD

PART NO.
9555H-XXE-PT

TITLE
2.54 mm Crimp Style Connectors

UNIT SCALE SHEET REV NUMBER
mm 1:1 1/1 C A-018

RoHS

This products can apply to the SWB Doc NO. QA-3-04-005 of Environmental&Material Management Rules



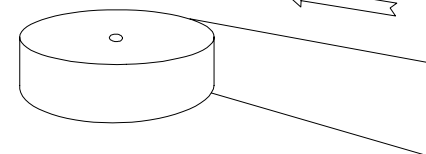
Specifications :

- Voltage rating: 250V AC / DC
- Current rating: 3A AC / DC
- Withstanding voltage: 1500V AC/minute
- Temperature range: -25°C~+85°C
- Insulation resistance: ≥1000MΩ
- Contact resistance: ≤20mΩ
- After environmental testing: ≤30mΩ

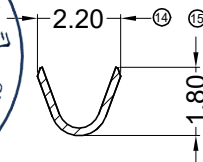
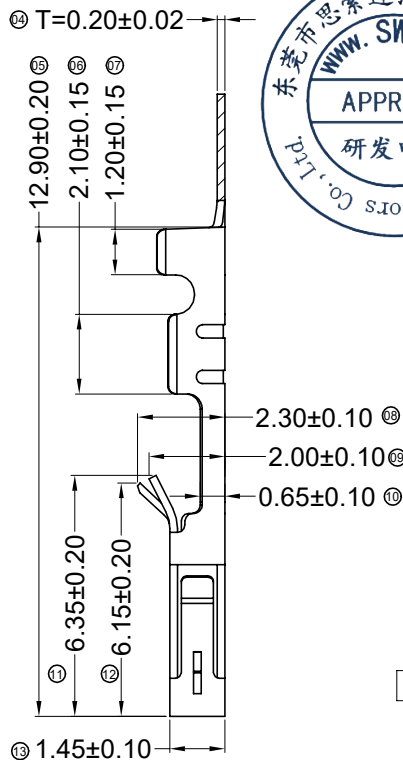
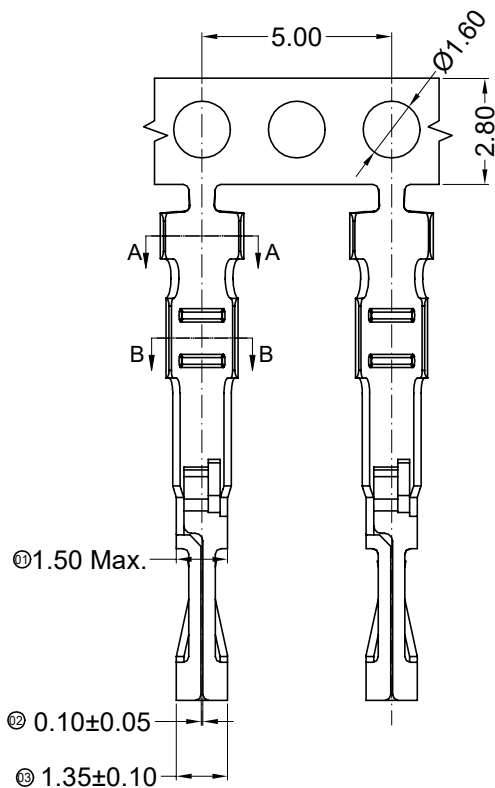
9555 T X-P XX X-A

① ② ③ ④ ⑤ ⑥ ⑦

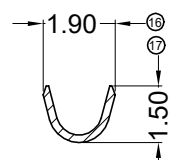
- ① Series Number
- ② Category: T-terminal
- ③ Shape: Blank-ordinary
- ④ Material: P-Phosphor bronze
- ⑤ Plating Code: V**-All Gold-Plated, G-Gold-Plated Contact, *01-Gold Flash ; *03-3u" ; *05-5u" ; *15-15u" ; *30-30u" ; SN-Bright tin plating
- ⑥ Plating method: Blank-Stamping before plating
- ⑦ Mold No./Mark/Special No. A-matching 9555H-2*XX HSG



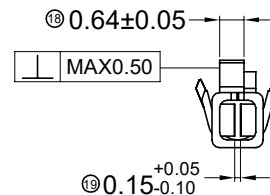
Receiving direction map after Plated (Crimp opening outwards)



SECTION: A-A SCALE: 1:1



SECTION: B-B SCALE: 1:1



9555T-PG15-A	Phosphor Bronze	AWG#22-30	Stamping Before Pating:30u" Ni;Contact Area gold:15u" Min.	9555H
9555T-PG03-A			Stamping Before Pating:30u" Ni;Contact Area gold:3u" Min.	
9555T-PG01-A			Stamping Before Pating:30u" Ni;Contact Area Gold Flash	
9555T-PSN-A			Stamping Before Plating:30u" Ni;70u"Sn	
PART NO	Material	Wire Range	Finish	Used In SWB Housing

2020/07/22	H		Update Drawing Frame	Roy.Hu	Robing
2015/05/14	G		Modify drawing frame format	jian.He	Success
2013/12/12	F		Change ⑧⑩⑪⑫ Size	Luna	Success
DATE	REV	ECN NO	DESCRIPTION	MODIFY	APPROVAL

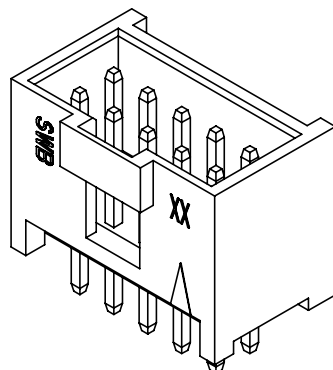
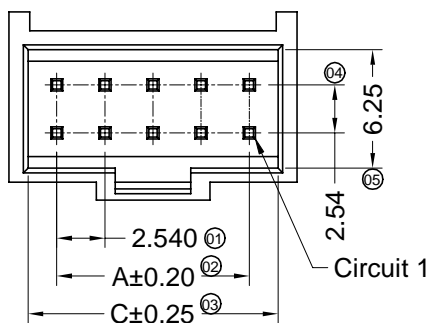
GENERAL TOLERANCE
.X ±0.35
.XX ±0.25
.XXX ±0.15
X.° ±2°
PROJECT
⊕ ⊖

东莞市思索连接器有限公司
SWB CONNECTORS CO.,LTD
 APPROVAL: Success, CHECK: Sun Kaibao, DRAWN: Song Li, DATE: 2013/07/04

PART NO. 9555T-PXX-A				
TITLE 2.54 mm Crimp Style Connectors				
UNIT	SCALE	SHEET	REV	NUMBER
mm	1:1	1/1	H	A-014

RoHS

This products can apply to the SWB Doc NO. QA-3-04-005 of Environmental&Material Management Rules



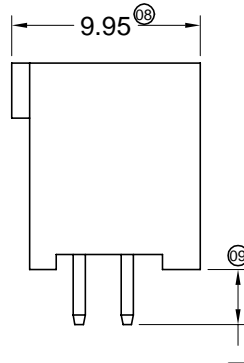
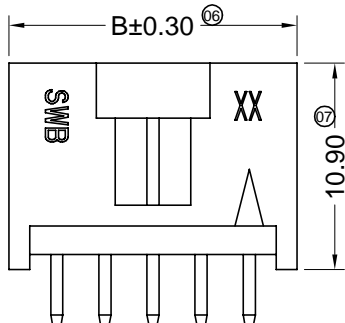
Specifications :

- Voltage rating: 250V AC / DC
- Current rating: 3A AC / DC
- Withstanding voltage: 1500V AC/minute
- Temperature range: -25°C~+85°C
- Insulation resistance: ≥1000MΩ
- Contact resistance: ≤20mΩ
- After environmental testing: ≤30mΩ
- Material(Pin):Brass
- Mates With SWB Housing:9555H-E

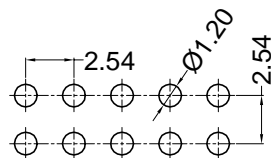
9555 W V XX- 2*XX EX-PT V01 XX

① ②③④ ⑤ ⑥ ⑦ ⑧ ⑨

- ① Series No.
- ② Category: W-wafer
- ③ Welding Board Angle: V-180°
- ④ Welding Way: Blank-DIP
- ⑤ Row No.-Pin No: 2*XX-Double row
- ⑥ Special No.:
E-matching 9555H-2*XXE HSG,DIP-2.90mm
E1-DIP-2.50mm
- ⑦ Material: PT-PBT 94V-0
- ⑧ Planting Category: V01-Gold Flash
SN-Bright tin plating 70u"
- ⑨ Color: Blank-natural color



Dim"L"	E1=2.50
	E=2.90



Poles	Dimensions(mm)			Poles	Dimensions(mm)		
	A	B	C		A	B	C
2*03	5.08	10.12	8.12	2*12	27.94	32.98	30.98
2*04	7.62	12.66	10.66	2*13	30.48	35.52	33.52
2*05	10.16	15.20	13.20	2*14	33.02	38.06	36.06
2*06	12.70	17.74	15.74	2*15	35.56	40.60	38.60
2*07	15.24	20.28	18.28	2*16	38.10	43.14	41.15
2*08	17.78	22.82	20.82	2*17	40.64	45.68	43.68
2*09	20.32	25.36	23.36	2*18	43.18	48.22	46.22
2*10	22.86	27.90	25.90	2*19	45.72	50.76	48.76
2*11	25.40	30.44	28.44	2*20	48.26	53.30	51.30

2020/07/24	F		Update Drawing Frame	Roy.Hu	Robing	GENERAL TOLERANCE
2019/01/18	E	EN20190118001	Uniform mark position	Joshua	Smarm	.X ±0.35
2015/05/14	D		Modify the drawing frame format	jian.He	Jova Lau	.XX ±0.25
DATE	REV	ECN NO	DESCRIPTION	MODIFY	APPROVAL	.XXX ±0.15
						X.° ±2°
						PROJECT
						PROJECT



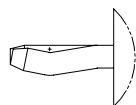
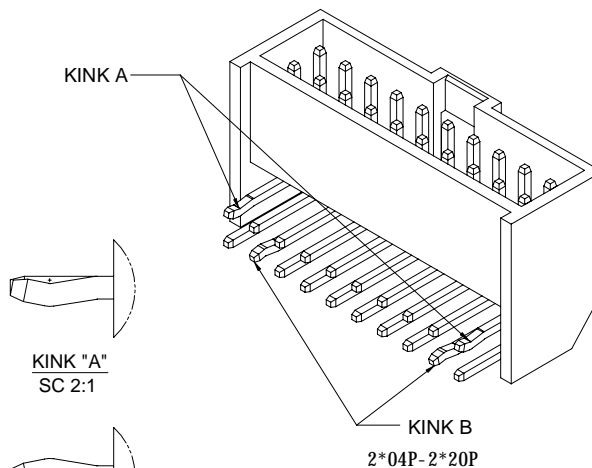
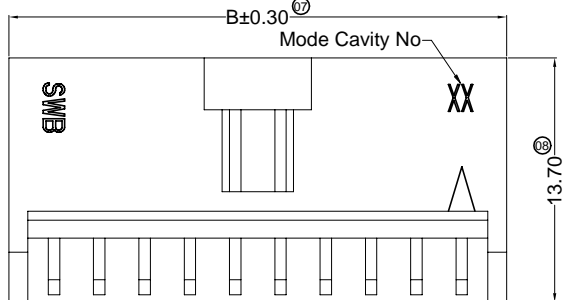
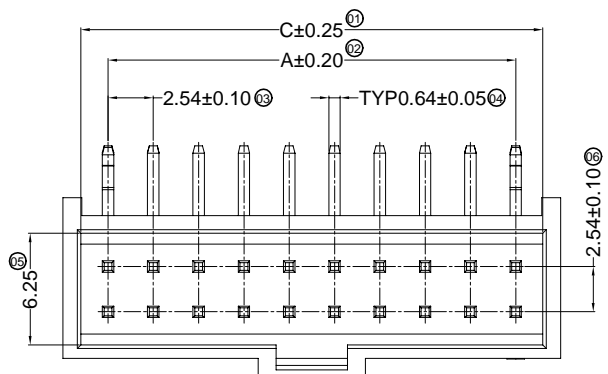
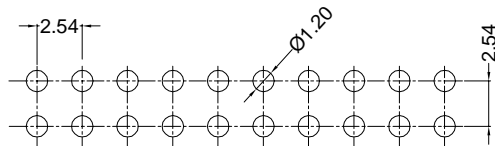
东莞市思索连接器有限公司
SWB CONNECTORS CO.,LTD

PART NO.				
9555WV-2*XXEX-PTV01				
TITLE				
2.54 mm Crimp Style Connectors				
UNIT	SCALE	SHEET	REV	NUMBER
mm	1:1	1/1	F	A-000

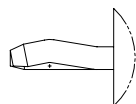
APPROVAL	CHECK	DRAWN	DATE
Kim Huang	Jova Lau	yan.Liu	2007/05/03

RoHS

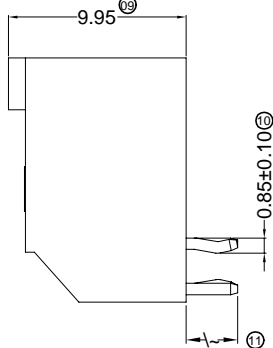
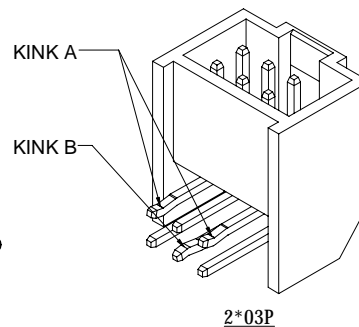
This products can apply to the SWB Doc NO. QA-3-04-005 of Environmental&Material Management Rules



KINK "A"
SC 2:1



KINK "B"
SC 2:1



Dim"L"	E1	2.50
	E	2.90

Specifications :

- Voltage rating: 250V AC / DC
- Current rating: 3A AC / DC
- Withstanding voltage: 1500V AC/minute
- Temperature range: -25°C~+85°C
- Insulation resistance: ≥1000MΩ
- Contact resistance: ≤20mΩ
- After environmental testing: ≤30mΩ
- Material(Pin): Brass
- Mates With SWB Housing: 9555H-XXE

9555 W R XX- 2*XX EX-PT XX XX
① ② ③ ④ ⑤ ⑥ ⑦ ⑧ ⑨

- ① Series No.
- ② Category: W-wafer
- ③ Connector Type: R-90°
- ④ Mounting Type: Blank-DIP
- ⑤ Row No.-Pin No.: 2*XX-Double row
- ⑥ Special NO.
E1-matching 9555H-2*XXE HSG,K the feet,DIP=2.90mm
E1-matching 9555H-2*XXE HSG,K the feet,DIP=2.50mm
- ⑦ Material: PT-PBT 94V-0,9T-PA9T 94V-0
- ⑧ Planting Code: V01-Gold Flash
SN-Bright tin plating
- ⑨ Color: Blank-Black Color

Poles	Dimensions(mm)			Poles	Dimensions(mm)		
	A	B	C		A	B	C
2*03	5.08	10.12	8.12	2*12	27.94	32.98	30.98
2*04	7.62	12.66	10.66	2*13	30.48	35.52	33.52
2*05	10.16	15.20	13.20	2*14	33.02	38.06	36.06
2*06	12.70	17.74	15.74	2*15	35.56	40.60	38.60
2*07	15.24	20.28	18.28	2*16	38.10	43.14	41.15
2*08	17.78	22.82	20.82	2*17	40.64	45.68	43.68
2*09	20.32	25.36	23.36	2*18	43.18	48.22	46.22
2*10	22.86	27.90	25.90	2*19	45.72	50.76	48.76
2*11	25.40	30.44	28.44	2*20	48.26	53.30	51.30

2020/07/23	F		Update Drawing Frame	Roy.Hu	Robing
2019/01/18	E	EN20190118001	Uniform mark position	Joshua	Smarm
2015/09/10	D		The modified K feet tolerance	Wu xiao tao	Jova Lau
DATE	REV	ECN NO	DESCRIPTION	MODIFY	APPROVAL

GENERAL TOLERANCE	
.X	±0.35
.XX	±0.25
.XXX	±0.15
X.°	±2°
PROJECT	
⊕	⊖



东莞市思索连接器有限公司
SWB CONNECTORS CO.,LTD

APPROVAL	CHECK	DRAWN	DATE
		Jin Fei	2012/12/29

PART NO. 9555WR-2*XXEX-XXXX				
TITLE 2.54 mm Crimp Style Connectors				
UNIT	SCALE	SHEET	REV	NUMBER
mm	1:1	1/1	F	A-000