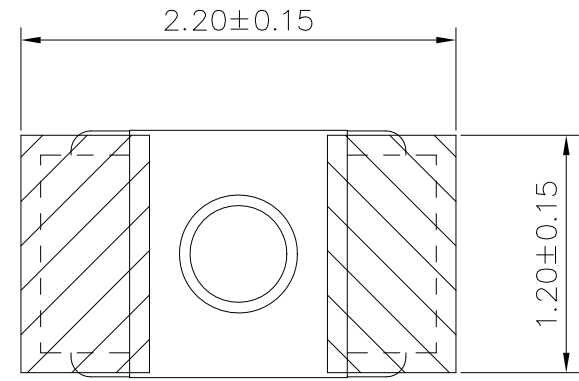
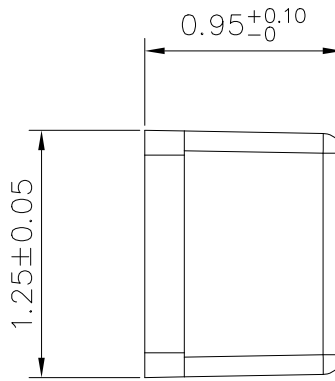
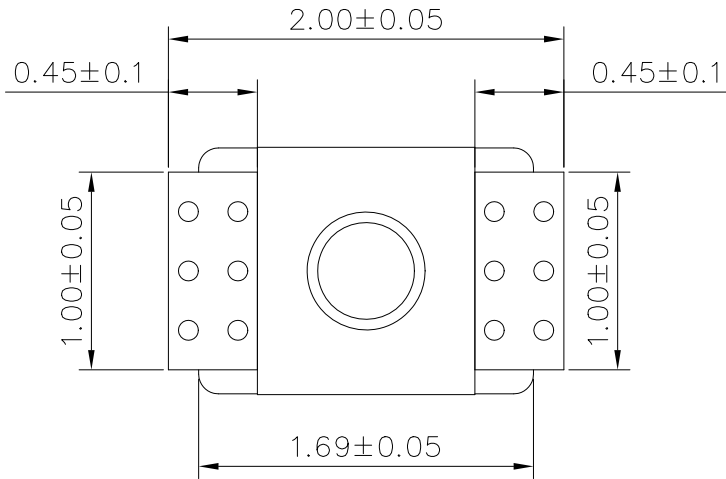
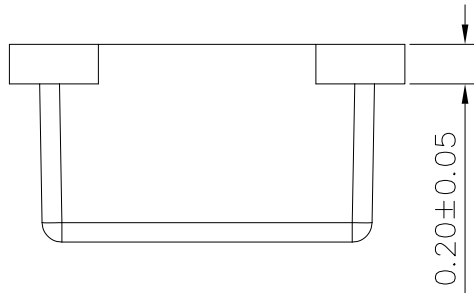


RoHS

This products can apply to the SWB Doc NO. QA-3-04-005 of Environmental&Material Management Rules



Recommended P. C. B Layout

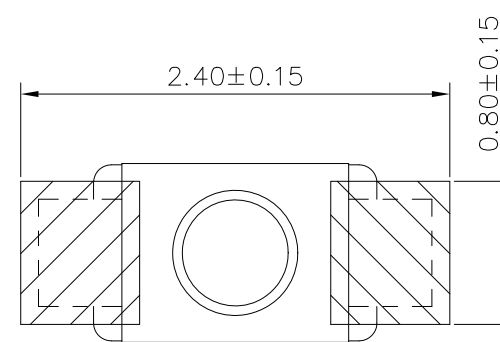
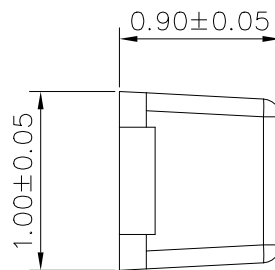
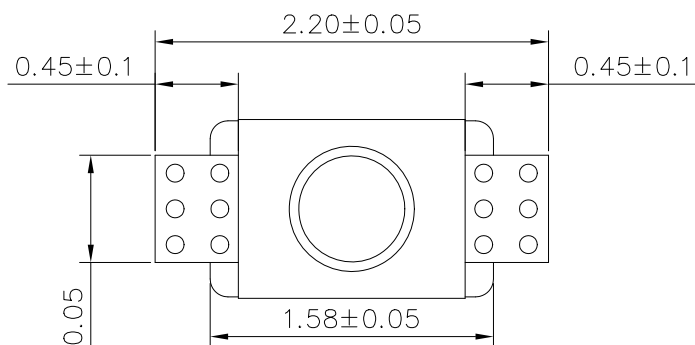


塑胶: LCP 94V-0  
五金: 铜板C2680  
电镀: 镀雾锡

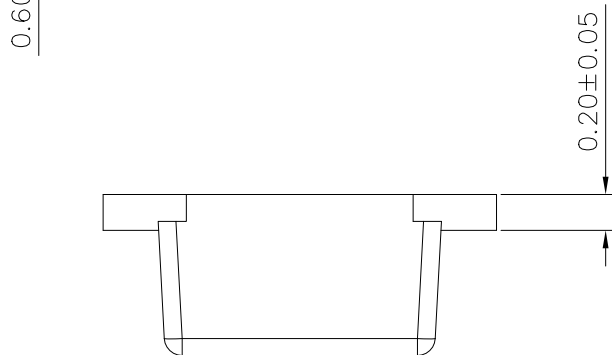
					GENERAL TOLERANCE .X ±0.30 .XX ±0.20 .XXX ±0.10 X.° ±2°				东莞市思索连接器有限公司 SWB CONNECTORS CO.,LTD				PART NO. GLPA-BSW																
					PROJECT 				APPROVAL Larry				CHECK Zeng				DRAWN sylvia				DATE 2021/11/29				TITLE PPA 垫片				
DATE	REV	ECN NO.	DESCRIPTION	MODIFY	APPROVAL					UNIT	SCALE	SHEET	REV	NUMBER															
1										MM	1:1	1/1	A0	A-000															

RoHS

This products can apply to the SWB Doc NO. QA-3-04-005 of Environmental&Material Management Rules



Recommended P. C. B Layout



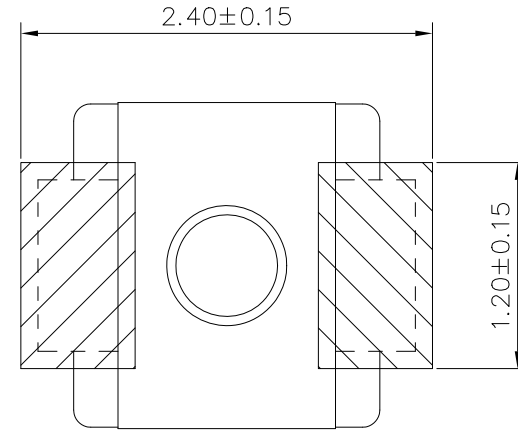
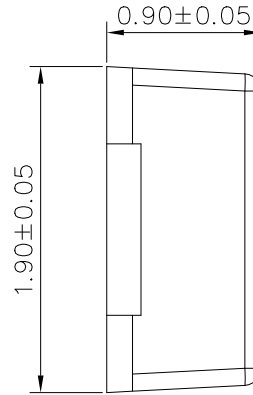
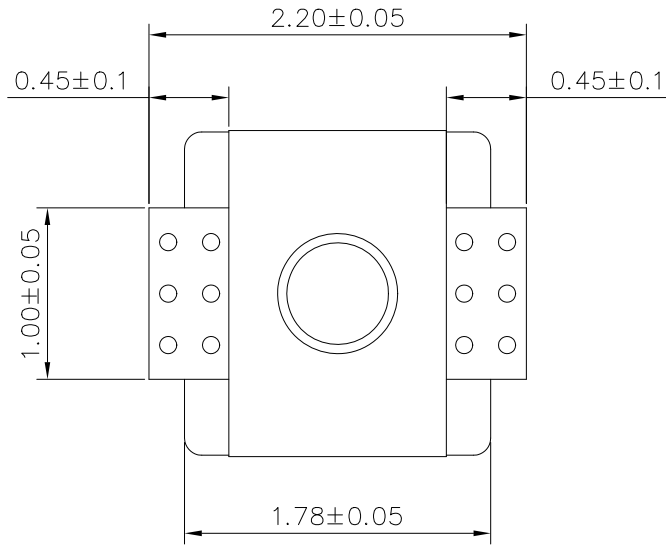
塑胶: PPA (UL94-V-HB不阻燃) 白色  
五金: 铜板C2680  
电镀: 镀雾锡

					GENERAL TOLERANCE .X ±0.30 .XX ±0.20 .XXX ±0.10 X.° ±2°				东莞市思索连接器有限公司 SWB CONNECTORS CO.,LTD				PART NO. GPPAD-BSW																																																			
					APPROVAL Larry				CHECK Zeng				DRAWN sylvia				DATE 2021/11/29				TITLE PPA 垫片																																											
DATE					REV					ECN NO.					DESCRIPTION					MODIFY					APPROVAL					PROJECT					UNIT					SCALE					SHEET					REV					NUMBER									
1					2					3					4					5					6					7					8					MM					1:1					1/1					A0					A-000				

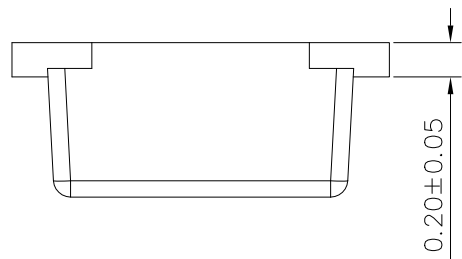
1 2 3 4 5 6 7 8

RoHS

This products can apply to the SWB Doc NO. QA-3-04-005 of Environmental&Material Management Rules



Recommended P.C.B Layout

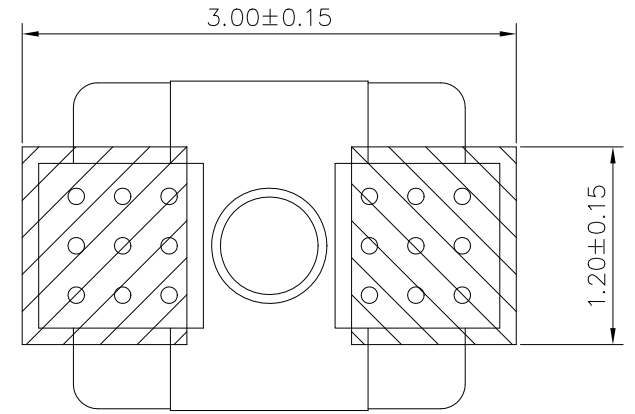
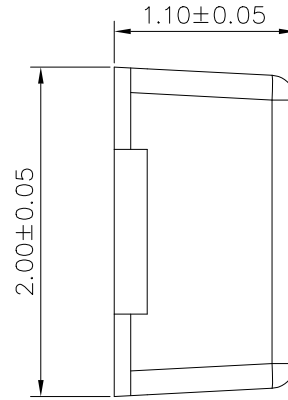
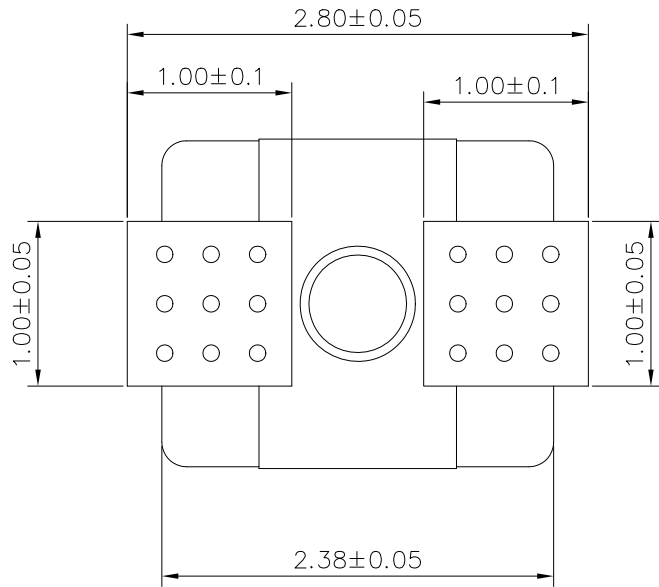


塑胶: PPA (UL94-V-HB不阻燃) 白色  
五金: 铜板C2680  
电镀: 镀雾锡

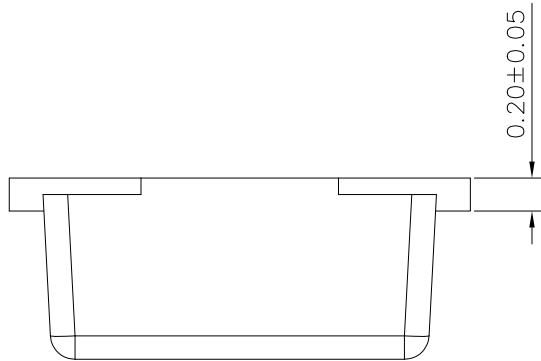
					<b>GENERAL TOLERANCE</b> .X ±0.30 .XX ±0.20 .XXX ±0.10 X.° ±2°				<b>东莞市思索连接器有限公司</b> <b>SWB CONNECTORS CO.,LTD</b>				<b>PART NO.</b> GPPAC-BSW																																				
					<b>APPROVAL</b> Larry				<b>CHECK</b> Zeng				<b>DRAWN</b> sylvia				<b>DATE</b> 2021/11/29				<b>TITLE</b> PPA 垫片																												
<b>PROJECT</b> 																	<b>UNIT</b> MM																																
<b>DATE</b> 1					<b>REV</b> 2					<b>ECN NO.</b> 3					<b>DESCRIPTION</b> 4					<b>MODIFY</b> 5					<b>APPROVAL</b> 6					<b>SCALE</b> 1:1					<b>SHEET</b> 1/1					<b>REV</b> A0					<b>NUMBER</b> A-000				

RoHS

This products can apply to the SWB Doc NO. QA-3-04-005 of Environmental&Material Management Rules



Recommended P.C.B Layout



塑胶: PPA (UL94-V-HB不阻燃) 白色  
五金: 铜板C2680  
电镀: 镀雾锡

					GENERAL TOLERANCE .X ±0.30 .XX ±0.20 .XXX ±0.10 X.° ±2°				东莞市思索连接器有限公司 SWB CONNECTORS CO.,LTD				PART NO. GPPAB-BSW																																																			
					APPROVAL Larry				CHECK Zeng				DRAWN sylvia				DATE 2021/11/29				TITLE PPA 垫片																																											
DATE					REV					ECN NO.					DESCRIPTION					MODIFY					APPROVAL					PROJECT					UNIT					SCALE					SHEET					REV					NUMBER									
1					2					3					4					5					6					7					8					MM					1:1					1/1					A0					A-000				

1 2 3 4 5 6 7 8