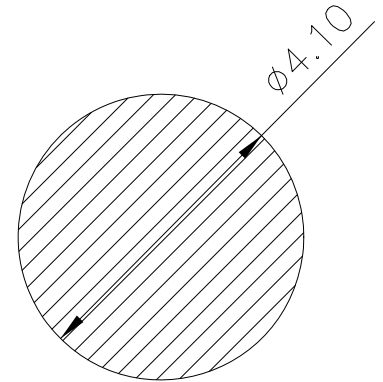
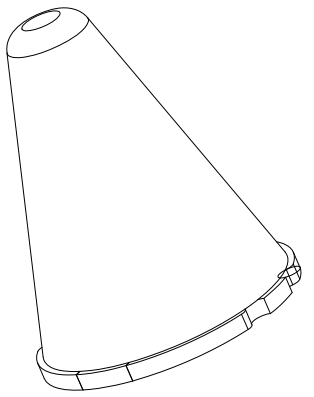
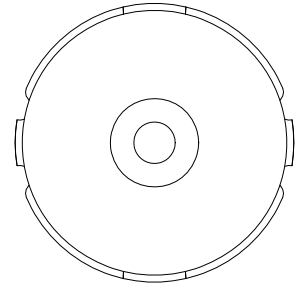
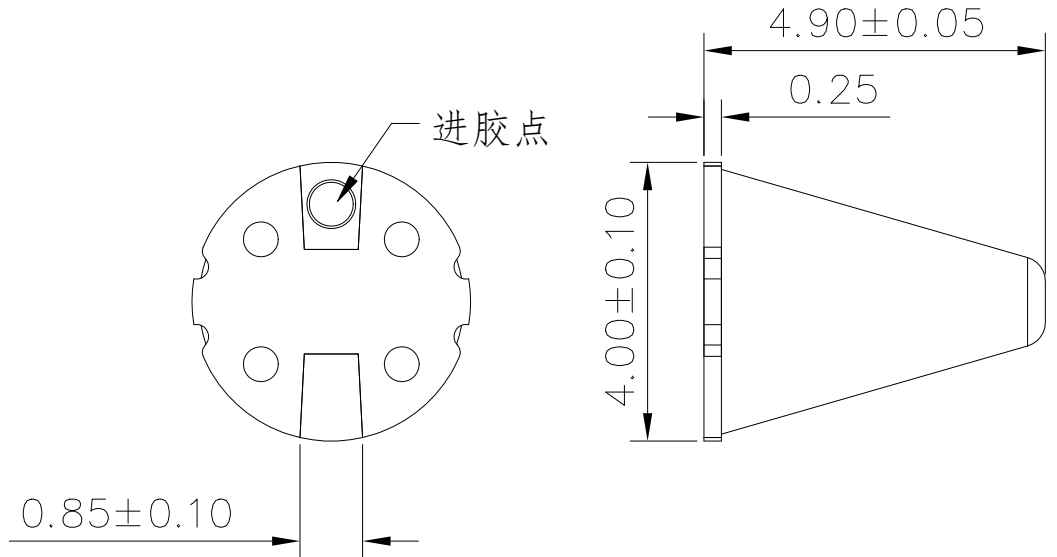


RoHS

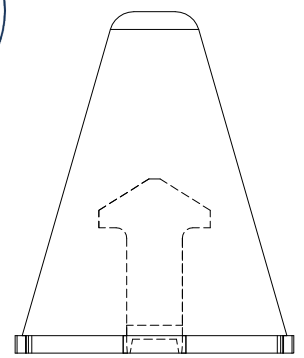
This products can apply to the SWB Doc NO. QA-3-04-005 of Environmental&Material Management Rules

F  
E  
D  
C  
B  
A

F  
E  
D  
C  
B  
A



Recommended P.C.B Layout



- 1.材质:PPA (UL94-V-HB不阻燃),白色
- 2.阻焊片: C2680 T=0.25
- 3.电镀: 镀亮锡

DATE	REV	ECN NO.	DESCRIPTION	MODIFY	APPROVAL
1					
2					
3					
4					
5					

GENERAL TOLERANCE	
.X	±0.30
.XX	±0.20
.XXX	±0.10
X.°	±2°
PROJECT	

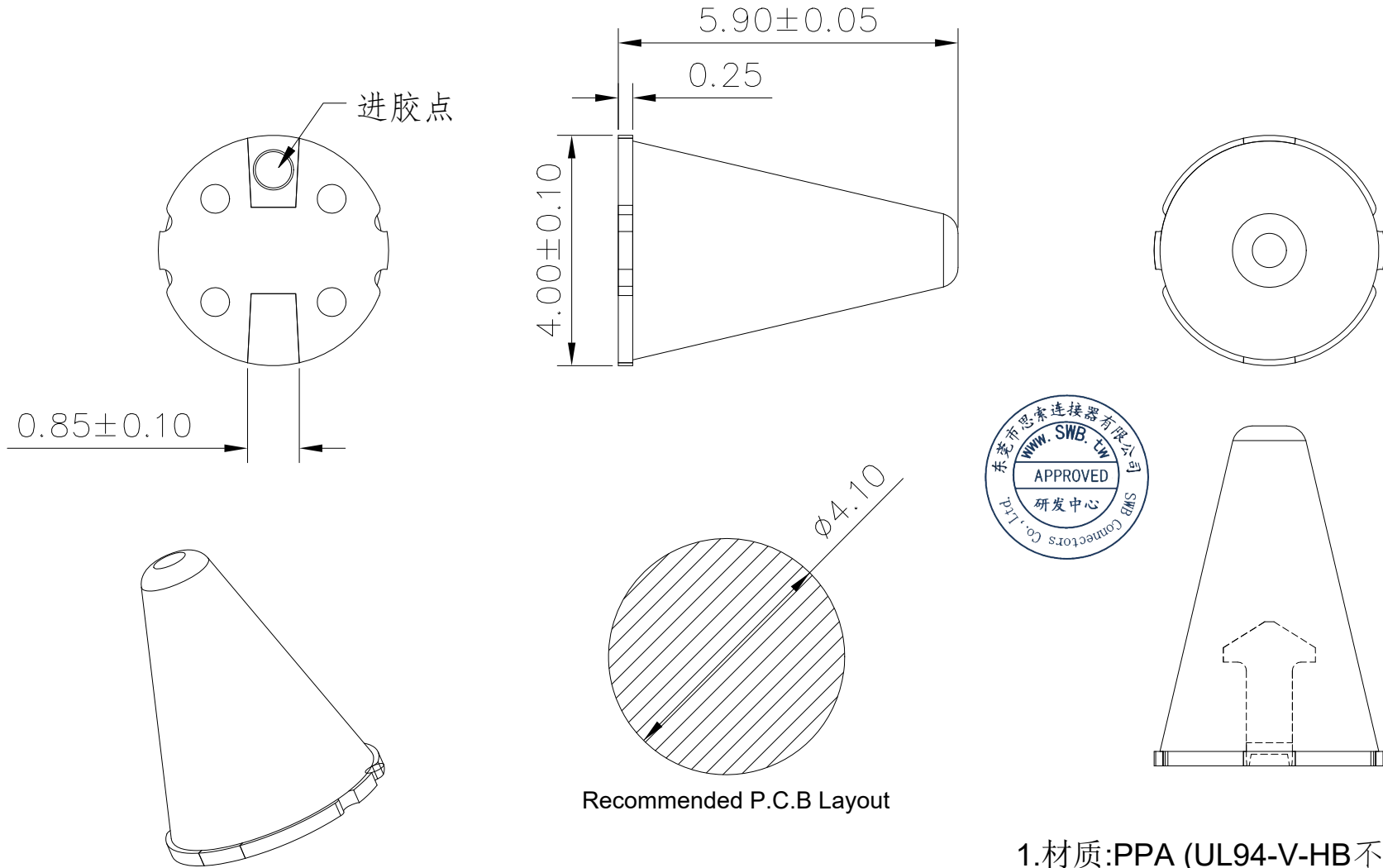
东莞市思索连接器有限公司 SWB CONNECTORS CO.,LTD				APPROVAL	CHECK	DRAWN	DATE
				Larry	Zeng	sylvia	2021/11/29

PART NO.				
MLS-PHWBSN-4*4.9				
TITLE				
MINI LED H4.90 支撑柱				
UNIT	SCALE	SHEET	REV	NUMBER
mm	1:1	1/1	A0	A-000

1 | 2 | 3 | 4 | 5 | 6 | 7 | 8

RoHS

This products can apply to the SWB Doc NO. QA-3-04-005 of Environmental&Material Management Rules

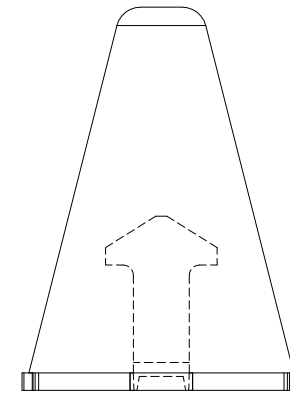
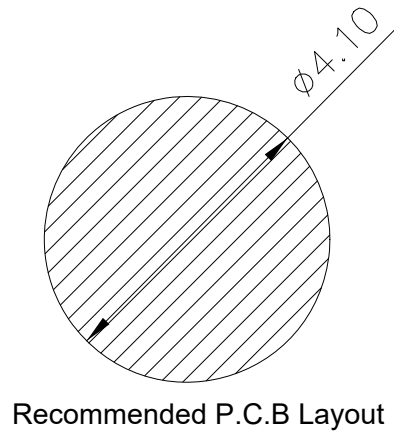
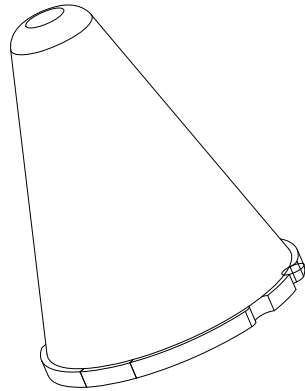
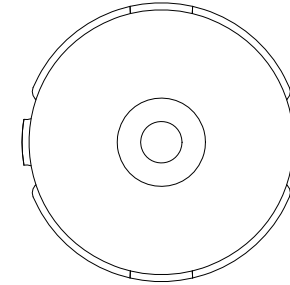
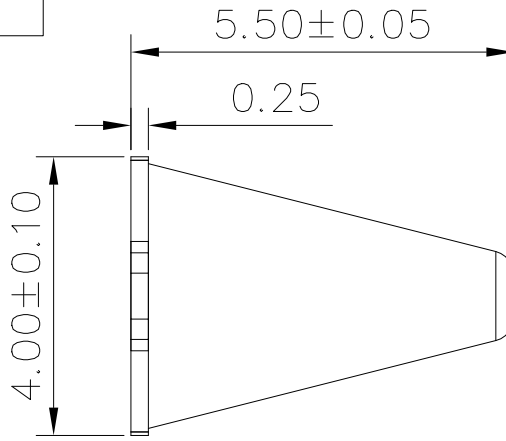
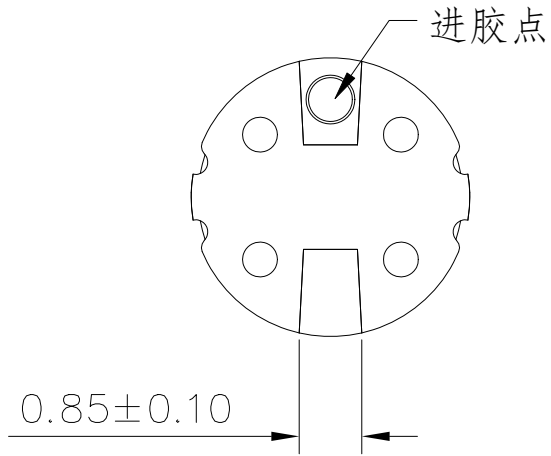


- 1.材质:PPA (UL94-V-HB不阻燃),白色
- 2.阻焊片: C2680 T=0.25
- 3.电镀: 镀亮锡

					GENERAL TOLERANCE .X ±0.30 .XX ±0.20 .XXX ±0.10 X.° ±2°				东莞市思索连接器有限公司 SWB CONNECTORS CO.,LTD				PART NO. MLS-PHWBSN-4*5.9																
					PROJECT 				APPROVAL Larry				CHECK Zeng				DRAWN sylvia				DATE 2021/11/29				TITLE MINI LED H5.90支撑柱				
DATE	REV	ECN NO.	DESCRIPTION	MODIFY	APPROVAL									UNIT	SCALE	SHEET	REV	NUMBER											
1														mm	1:1	1/1	A0	A-000											

RoHS

This products can apply to the SWB Doc NO. QA-3-04-005 of Environmental&Material Management Rules



- 1.材质:PPA (UL94-V-HB不阻燃),白色
- 2.阻焊片: C2680 T=0.25
- 3.电镀: 镀亮锡

					GENERAL TOLERANCE .X ±0.30 .XX ±0.20 .XXX ±0.10 X.° ±2°				东莞市思索连接器有限公司 SWB CONNECTORS CO.,LTD				PART NO. MLS-PHWBSN-4*5.5												
					APPROVAL Larry				CHECK Zeng				DRAWN sylvia				DATE 2021/11/29				TITLE MINI LED H5.50 支撑柱				
DATE	REV	ECN NO.	DESCRIPTION	MODIFY	APPROVAL	PROJECT		UNIT		SCALE	SHEET	REV	NUMBER												
1								mm		1:1	1/1	A0	A-000												